

DAS Series H.264 Standalone DVR

4, 8 & 16 Channel Duplex (Full Triplex w/network viewing)

The DAS Series is a 4, 8 or 16 channel high performance DVR that provides simultaneous recording and playback, along with real-time display, 120/100 fps recording, full & split screen, Quad and 3 PiPs. The DAS comes with a DVD-RW built in, S-video, CVBS monitor and optional VGA output.



16 Channel Shown

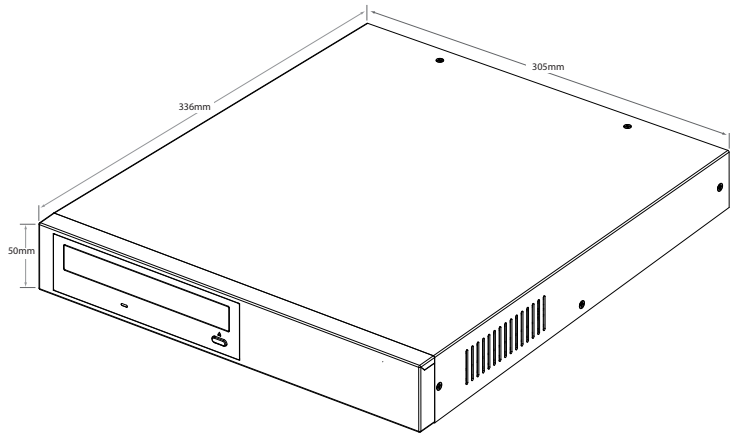
IPD-4DAS 4 Channel

Resolution: 720 x 480 (NTSC) 720 x 576 (PAL)
 Compression: H.264
 Video inputs: 4 Channel
 Record speed: up to 120 fps (NTSC), 100 fps (PAL)
 Audio In/Out: 2 x RCA - 1 Channel in & out
 Alarm Inputs: NC Type



IPD-8DAS 8 Channel

Resolution: 720 x 480 (NTSC) 720 x 576 (PAL)
 Compression: H.264
 Video inputs: 8 Channel
 Record speed: up to 120 fps (NTSC), 100 fps (PAL)
 Audio In/Out: 2 x RCA - 1 Channel in & out
 Alarm Inputs: NC Type



IPD-16DAS 16 Channel

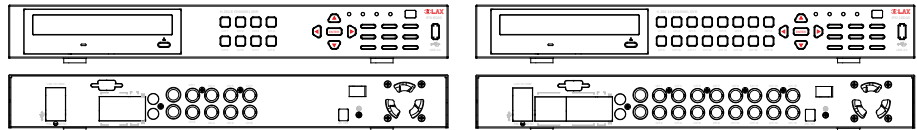
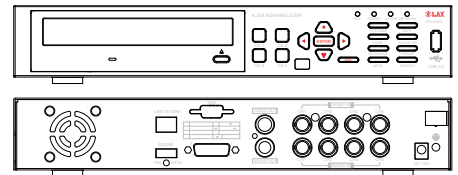
Resolution: 720 x 480 (NTSC) 720 x 576 (PAL)
 Compression: H.264
 Video inputs: 16 Channel
 Record speed: up to 120 fps (NTSC), 100 fps (PAL)
 Audio In/Out: 2 x RCA - 1 Channel in & out
 Alarm Inputs: NC Type

REGULATORY:

CE (EN5513, EN50130-4)
 EU: 73/23/EEC LVD
 RoHS Compliant

ACCESSORIES:

Spare Remote Control
 Spare USB Mouse



ORDERING:

IPD-4DAS H.264 Four Channel Digital Video Recorder (DVR)
IPD-8DAS H.264 Eight Channel Digital Video Recorder (DVR)
IPD-16DAS H.264 Sixteen Channel Digital Video Recorder (DVR)

NOTE: Specify power requirements when ordering: 120vAC 60Hz or 230vAC 50hz.

Model	IPD-4DAS	IPD-8DAS	IPD-16DAS
Video Signal			
Television System	NTSC/PAL		
Refresh Rate	NTSC:60 fields/sec / PAL:50 fields/sec		
Resolution	NTSC:720x480 ; PAL:720x576		
Inputs	4 Ch	8 Ch	16 Ch
Inputs Signal	Composite 1.0Vp-p 75ohms		
Outputs Signal	Main monitor, VGA, Composite 1.0Vp-p 75ohms		
Video Features			
Live (fps)	NTSC:120/PAL:100		
Zoom	Digital 2X zoom		
Sequence	Sequence display in full size		
Display Format	Full screen, Quad split		
Audio Features			
Audio In/Out	4Ch input/1Ch output	8Ch input/1Ch output	16Ch input/1Ch output
Compression	G.711		
Record			
Recording Speed (IPS)	NTSC:120/PAL:100		
Resolution	NTSC: 720x480, 720x240,360x240 - PAL:720x576, 720x288,360x288		
Compression	H.264		
Recording	Motion, Alarm, schedule		
Search			
Rec. Search Selection	By Manual, Timer, Motion alarm, Each camera, All cameras		
Playback Option	Fast x32,Slow forward, Rewind, Image by image		
Backup			
Backup Media	DVD-RW, HDD, USB Stick Memory, Network (CD-RW optional)		
Backup Option	All cameras, Time range		
Network			
Ethernet	Auto sense 10/100mpbs		
Protocol	TCP/IP,DHCP,DDNS server		
Alarm			
Alarm Inputs	4 Inputs	8 Inputs	16 Inputs
Alarm Outputs	1 Replay outputs (3A max)		
Alarm Latch Up	1~999 sec		
Buzzer Out	On/Off		
Connectors			
Video Inputs	4 BNC	8 BNC	16 BNC
Monitor Out	1 BNC		
Alarm In/Out	D-sub		
Ethernet	RJ45		
Mouse	PS2/USB		
Mechanical			
Weight	3.5kg (7.72 lbs.)		
Dimensions	301x305x50mm (11.85" x 12 x 2")		
USB	USB 2.0		
Environmental			
Operating Temperature	-5°C ~ 40°C (23°F - 104°F)		
Operating Humidity	5% - 95%		

DAS Series H.264 Standalone DVR 4, 8 & 16 Channel Duplex (Full Triplex w/network viewing)

REGULATORY:

CE (EN5513, EN50130-4)
EU: 73/23/EEC LVD
RoHS Compliant

ACCESSORIES:

Spare Remote Control
Spare USB Mouse

© i-LAX ELECTRONICS INC. 2009
Specifications are subject to change without notice.
Weights and dimensions may be indicative.
Revised January 2009

