

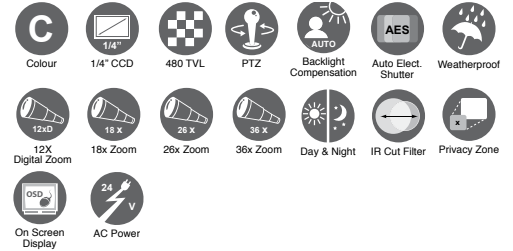
CME Series Outdoor Speed Dome Cameras

The CME has a 360° continuous rotation, manual speed pan of 0.5 ~ 240/sec, up to 128 preset points and 9 integrated protocols (with different baud rates) this camera comes with a mechanical IR cut filter. The CME also comes with a IP 66 rated weatherproof housing, an integrated multi protocol, three programmable speed Auto Scan (3 programmable speeds) and intelligent power-off memory for current (home) position.



Features:

- Intelligent power-off memory current setting and state home position.
- Pan range 360° continue
- Manual speed pan 0.5°~240°/sec
- Preset points 64 points
- Tours 6 programmable



ISD-18X12CME

1/4" SONY CCD
470 (PAL), 480 (NTSC) TVL Horizontal Resolution
18X optical + 12X digital zoom f1.4 ~ f3.0 Lens

ISD-26X12CME

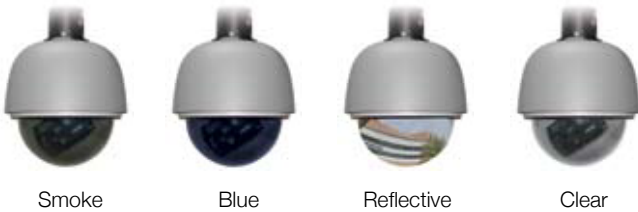
1/4" Super CCD
470 (PAL), 480 (NTSC) TVL Horizontal Resolution
26X optical + 12X digital zoom f1.6 ~ f3.8 Lens

ISD-36X12CME

1/4" Super CCD
470 (PAL), 480 (NTSC) TVL Horizontal Resolution
36X optical + 12X digital zoom f1.6 ~ f4.5 Lens

CME Dome Options:

Standard dome colour is 'Smoke' as shown above.
Optional dome colours are Blue, Reflective and Clear.

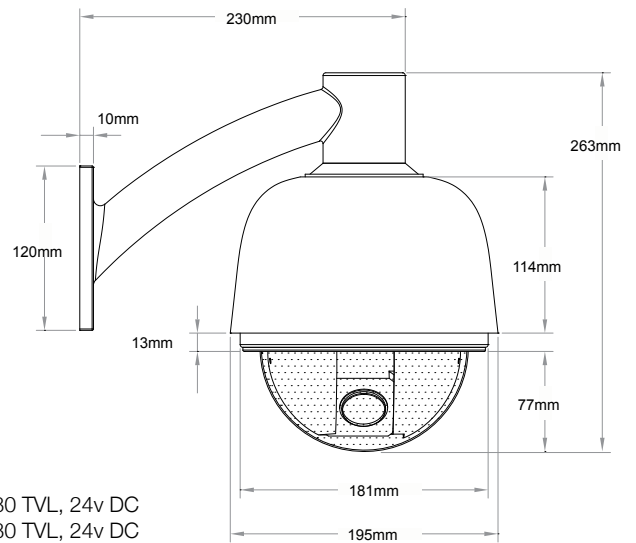
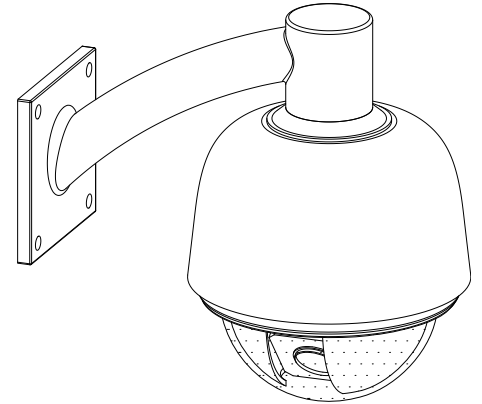


ORDERING:

- ISD-18X3CME** Outdoor Speed Dome Camera, w/ 18x Optical Zoom & Metal Housing, 480 TVL, 24v DC
ISD-26X3CME Outdoor Speed Dome Camera, w/ 26x Optical Zoom & Metal Housing, 480 TVL, 24v DC
ISD-36X3CME Outdoor Speed Dome Camera, w/ 36x Optical Zoom & Metal Housing, 480 TVL, 24v DC

NOTE:

Specify power requirements when ordering: 120vAC 60Hz or 230vAC 50hz.
Specify NTSC or PAL when ordering.



Model	ISD-18X12CME	ISD-26X12CME	ISD-36X12CME
Zoom Module			
Image Sensor	1/4" EXview HAD CCD Technology		
Number of Effective Pixels	<u>Effective:</u> NTSC: 768 x 494 / PAL: 752 x 582, <u>Total:</u> NTSC: 811 x 508/ PAL: 795 x 596		
Day & Night	Yes (IR CUT FILTER)		
Gain	Auto/Manual (-3 to 28 dB, 2dB steps)		
AE Control	Auto, Manual, Priority Mode, Bright, EV compensation, Back light compensation	Auto, Manual, Priority Mode, Bright, EV compensation, Backlight compensation, Slow AE	
Back Light Compensation (BLC)	Auto / On/Off		
Electronic Shutter	1/4 to 1/10000 sec., 20 steps	1/1 to 1/10,000 s, 22 steps	
EV Compensation	-10.5 to +10.5 dB (1.5dB steps)		
White Balance	Auto, ATW, Indoor, Outdoor, One Push WB, Manual WB		
Video Output	VBS: 1.0 Vp-p (Sync. negative) Y/C Output		
System	NTSC / PAL		
Built-in Zoom Lens	18x optical zoom f = 4.1mm (Wide) ~ 73.8mm (tele) f1.4 ~ f3.0, 48° ~ 2.7°	26x optical zoom f = 3.5mm (Wide) ~ 91.0mm (tele) f1.6 ~ f3.8, 42.2° ~ 1.6°	36x optical zoom f = 3.4 mm (wide) to 122.4 mm (tele) f1.6 to f4.5, 57.8° ~ 1.7°
Digital Zoom	12X (216X with Optical Zoom)	12X (312X with Optical Zoom)	12X (432X with Optical Zoom)
Minimum Working Distance	10mm (wide) ~ 800mm (tele)	3200 (Wide) ~ 1500mm (tele)	
Focusing System	Auto (Sensitivity: Norm, L), On-Push AF, Manual, Infinity, Interval AF, Zoom Trigger AF		
Horizontal Resolution	480 TV line (Colour) / 500 TV line (Mono)		
Sensitivity (Typical)	0.7 lux (F1.4 normal shutter speed)	1.0 lux (F1.6, 501RE)	
Image			
Scanning mode	2:1 interface scan		
Scanning line	NTSC: 525 lines / PAL: 625 lines		
Scanning frequency	Hor: NTSC: 15.734K Hertz / PAL: 15.625K Hertz / Vert: NTSC: 59.94K Hertz / PAL: 50K Hertz		
Aperture correction	NTSC: 59.94K Hertz / PAL: 50K Hertz		
Speed dome Functions			
Address	0 ~ 255		
Preset Points	128 Points		
Home Position	Yes		
Operation Return Function	Yes		
Vector Scan Group	6 Programmable (Dwell time speed preset point)		
Auto Scan	with Smart Programmable variable speed		
High efficient 3-dimension scan	Yes		
Intelligent pwr off real time mem.	Yes		
Home Position	Yes		
Camera Menu Operation	Yes		
On screen display	N/A		
Continue Manual	Continuous		
Mechanical			
Transmission Type	Belt		
Pan Range	360° Continue		
Tilt Range	0° ~ 90° Flip		
Manual Speed Pan	0.1~ 300°/Sec		
Manual Speed Tilt	0.1~ 120°/Sec		
Preset Speed	400°/Sec		
Pan Range	360° Continue		
Electrical			
Input Voltage	24VAC 2A 60Hz/50Hz		
Power Consumption	20W		
Video Connection	BNC		
Communication	RS485 (+/-)		
General			
IP Rating	IP66 (Vandal Proofing)		
Operating Temperature	-22°C to 60°C (-7.6°F to 140°F)		
Operating Humidity	0% ~ 90% (non compensating)		
Heater Operating Temperature	6°C (ON) to 14°C (OFF) (42.8°F(ON) to 57.2°F(OFF))		
Storage Humidity	20% ~ 95% (non compensating)		
Construction	Cast Aluminum Housing / Beige Finish		
Weight	3.27Kg (7.2 Lbs.)		

CME Outdoor Speed Dome Camera

REGULATORY:

CE (EN5513, EN50130-4)
EU: 73/23/EEC LVD
RoHS Compliant

ACCESSORIES:

Power Supplies

Model #IPS1205E 230v AC 50Hz
Model #IPS1205E 120v AC 60Hz

© i-LAX ELECTRONICS INC. 2009
Specifications are subject to change without notice.
Weights and dimensions may be indicative.
Revised January 2009

