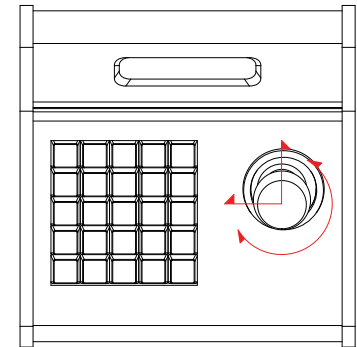
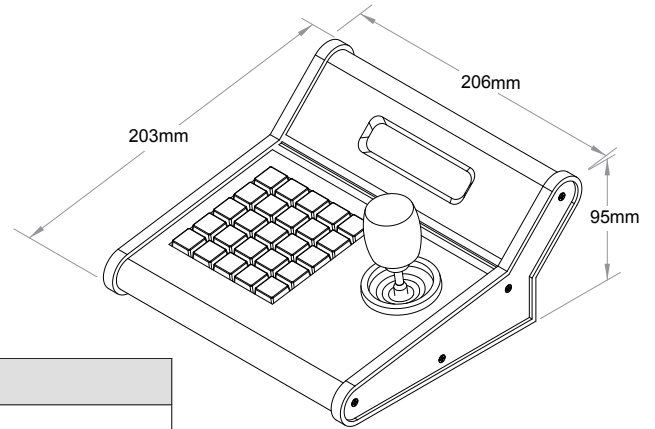


### Model ISB-802J Controller

Like the 801J the i-Lax 802 controller is ruggedly designed to give security professionals facilitates complete control up to 256 speed domes. It comes with a logical and ergonomic keypad and LCD display, 3 axis proportional joystick for pinpoint control, multi protocol and RS-485 communication support.



Model		ISB-802J
Available power Selection		
Power Consumption		900mA
Camera Input		Composite 1Vp-p;75Ω
Communication Distance		1200 meters
Lens Control	Zoom	Tele/Wide
	Focus	Near/Far/Auto Focus
	Iris	Open/Close/Reset
Pan/Tilt Control	Manual	Variable speed control option
	Auto pan	On/Off
Camera Control	Position select	128 points
	Home Position	Available
	Camera Setup	Available
Operating Temperature		-10 ~ 55
Joystick		2D
Protocol		Multi-Protocol Supported
Weight		1.2kg
Dimensions		205x205x95mm

© i-LAX ELECTRONICS INC. 2009  
 Specifications are subject to change without notice.  
 Weights and dimensions may be indicative.  
 Revised January 2009